



#### HOW TO PLAY:

- 1) Hold both of Suzie's hands with yours, and she sings.  
(See Fig. 1)
- 2) You and a friend each hold one hand of Suzie and complete the circle by holding each others hands and Suzie will sing.  
(See Fig. 2)

#### IMPORTANT: ONLY PARENTS / ADULTS SHOULD REPLACE BATTERIES.

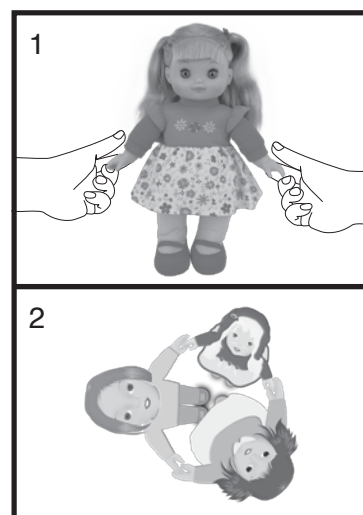
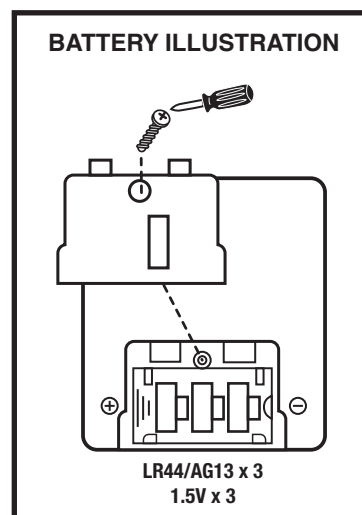
- 1) Do not recharge non-rechargeable batteries.
- 2) Do not dispose of batteries in fire; they may leak or explode.
- 3) Do not mix alkaline, standard (carbon-zinc) or rechargeable (nickel-cadmium) batteries.
- 4) Do not mix old and new batteries.
- 5) Use only batteries of the same or equivalent type as recommended by the manufacturer.
- 6) Be sure to insert batteries with correct polarities and always follow package and battery manufacturer's instructions.
- 7) Remove exhausted batteries from product.
- 8) Do not short-circuit supply terminals.
- 9) Keep these instructions for the future because they contain important information.
- 10) Rechargeable batteries are to be removed from the toy before being charged. (If removable).
- 11) Rechargeable batteries are only to be charged under adult supervision. (If removable).

#### BATTERY INSTALLATION :

1. Locate the battery compartment on back of the doll.
2. Have an adult use a small Phillips® screwdriver to remove the battery compartment top.
3. Insert 3 LR44/ AG13 size batteries following polarity markings.  
(See illustration for specific battery installation)  
We recommend using alkaline batteries.

#### CLEANING THE DOLL:

1. Use a damp cloth to wipe off the doll.
2. Do not put the doll in a washing machine.



#### For Product Questions:

Call Customer Service 1-866-559-8697 Monday-Friday 9am-6pm  
(Number is only available in the U.S. and Canada. Eastern Standard Time) or e-mail us :  
customerservice@newadventuresllc.com

Please keep these instructions for future reference as they contain important information.

**CAUTION:** All ties or fasteners are not part of this toy and should be removed before giving it to your child. Color and product may vary from photo. Conforms to the safety requirements of ASTM-F963.

#### FCC Statement:

This device complies with Part 15 of the FCC Rules. Operation is subject to the following two conditions: (1) this device may not cause harmful interference, and (2) this device must accept any interference received, including interference that may cause undesired operation.

**WARNING:** Changes or modifications to this unit not expressly approved by the party responsible for compliance could void the user's authority to operate the equipment.

**NOTE:** This equipment has been tested and found to comply with the limits for a Class B digital device, pursuant to Part 15 of the FCC Rules. These limits are designed to provide reasonable protection against harmful interference in a residential installation. This equipment generates, uses and can radiate radio frequency energy and, if not installed and used in accordance with the instructions, may cause harmful interference to radio communications. However, there is no guarantee that interference will not occur in a particular installation. If this equipment does cause harmful interference to radio or television reception, which can be determined by turning the equipment off and on, the user is encouraged to try to correct the interference by one or more of the following measures:

- Reorient or relocate the receiving antenna.
- Increase the separation between the equipment and receiver.
- Connect the equipment into an outlet on a circuit different from that to which the receiver is connected.
- Consult the dealer or an experienced radio/ TV technician for help.

2+



©2015 New Adventures LLC LTD.,  
Energy Plaza, TST, KLN, HONG KONG  
www.newadventuresllc.com  
MADE IN CHINA (DONGGUAN)



#### CÓMO JUGAR:

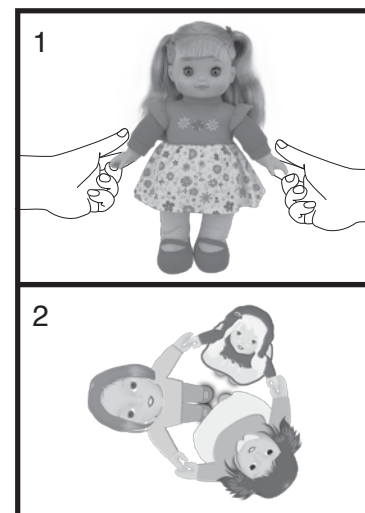
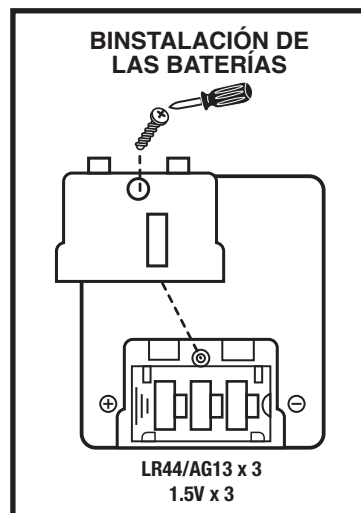
- 1) Agarra las dos manos de Suzie entre las tuyas, y cantará. (ver imagen 1).
- 2) Usted y un amigo tienen cada uno una mano de Suzie y completar el círculo mediante la celebración de cada otras manos y Suzie cantará. (ver imagen 2)

#### IMPORTANTE: SOLAMENTE LOS PADRES / ADULTOS DEBEN REEMPLAZAR LAS BATERÍAS.

- 1) No recargue baterías no recargables.
- 2) No tire las baterías al fuego, ellas pueden chorrear o explotar.
- 3) No mezcle baterías alcalinas, standard (carbón – zinc) o recargables (nikel – cadmium).
- 4) No mezcle baterías nuevas con viejas.
- 5) Use solamente baterías del mismo tipo o de tipo equivalente como lo recomienda el fabricante.
- 6) Asegúrese de colocar las baterías en la polaridad correcta y siempre siga las instrucciones del paquete y del fabricante de las baterías.
- 7) Quite las baterías que estén agotadas.
- 8) No haga corto circuito con los terminales.
- 9) Guarde estas instrucciones porque contienen información importante que puede necesitar en el futuro.
- 10) Las baterías recargables deben ser quitadas del juguete antes de recargarlas.
- 11) Las baterías deben ser recargadas sólo bajo la supervisión de un adulto.

#### INSTALACIÓN DE LAS BATERÍAS:

1. Localice el compartimiento de las baterías en la espalda de la muñeca.
2. Un adulto debe abrir la tapa del compartimiento de las pilas con un destornillador Phillips® pequeño.
3. Inserte 3 baterías LR44/ AG13 de acuerdo a las indicaciones de polaridad. (Vea las ilustraciones para la instalación de las baterías).  
Recomendamos el uso de baterías alcalinas.



#### LIMPIEZA DE LA MUÑECA:

1. Utiliza un trapo húmedo para limpiar la muñeca.
2. No laves la muñeca en la lavadora.

Por favor guarde estas instrucciones para futura referencia. Él contienen información importante.

**CUIDADO:** Todas las sujetadoras o cierres no son la parte de este juguete y deben ser quitados antes de darlo a su niño. El color y el producto pueden variar de la foto.

2+



©2015 New Adventures LLC LTD.,  
Energy Plaza, TST, KLN, HONG KONG  
www.newadventuresllc.com  
**HECHO EN CHINA**